



# Submittal Data Information

## iWorX® Zone Valve

501-053

Effective: May 15, 2014

Supersedes: New

Job: \_\_\_\_\_ Engineer: \_\_\_\_\_ Contractor: \_\_\_\_\_ Rep: \_\_\_\_\_

ITEM NO.	MODEL NO.	

### Product Specifications

Max. Operating Pressure.....	300 PSI (2100 kPa)
Max. Shutoff Pressure .....	125 PSI (875 kPa)
Fluid Temperature Range.....	20-240°F (7°-115°C)
Service .....	Water or Water/Glycol up to 50% Glycol Close Systems (Open System — Option Available)
Ball Rotation Speed .....	(90° turn), Approximately (after charge time)
Electrical Rating.....	24 VAC, 60Hz 0.48 Amps
Power Consumption..... (Charging)	11.4 W, 0.48 Amps
Power Consumption..... (Power On)	1.44W, 0.06 Amps
Heat Anticipator Setting.....	0.5 Amps

### Application:

Taco iWorX® Zone Valves provide on-off, normally open or normally closed control in both open and closed hydronic systems. The valves can be used in a wide variety of heating and non condensing cooling applications, primarily designed for use with baseboard, fan coils, radiators, convectors, air handlers, heat pumps and radiant applications.

### Ease of Installation / Operation:

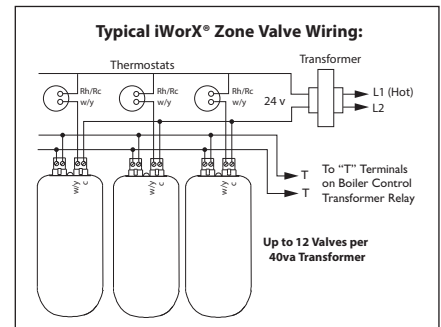
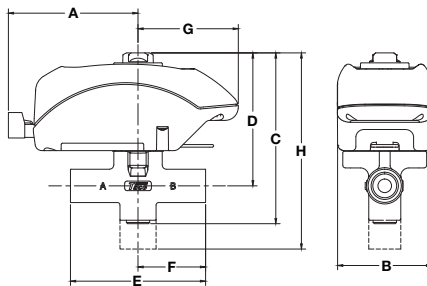
Taco iWorX® Zone Valve is the most technologically advanced zone valve ever made. It's also simple to install and operate. The valve can be installed in any direction, in any orientation. We then went a step further, allowing the operator to be mounted to the 2-way valve body in either direction, great for those tight baseboard jobs. Snap-in quick connects on the back of the valve make for a simple, secure and fast wiring hook-up. A green LED light shows full functionality of the valve's operation and thermostat status. Under a no power situation the manual override button located on the top of the valve allows the ball to be rotated up to 90° and is also marked with a slot to indicate the position of the valve.

### Materials of Construction, Actuator:

Body .....	High Performance Engineered Polymer
Gears.....	High Performance Internally Lubricated Engineered Polymer

### Materials of Construction, Valve:

Body .....	Forged Brass
Stem.....	Brass
Press Ring.....	Brass
Ball.....	Brass (Chrome Plated)
Seat.....	Modified Teflon®
O-Rings.....	EPDM



Valve Size	2-WAY Cv (Kv) / Ft. of Pipe Equiv.**	Close-Off Pressure (kPa)	3-WAY Cv (Kv) / Ft. of Pipe Equiv.**
1/2"	4.9 (4.3) / 9.5	0-125 psi (0-862 kPa)	1.5 (1.3) / 111
3/4"	10.3 (8.9) / 8.4	0-125 psi (0-862 kPa)	3.3 (2.8) / 82
1"	8.9 (7.7) / 47.4	0-125 psi (0-862 kPa)	3.0 (2.6) / 411

\*\*At 4' per second (Max. recommended residential flow rate).

### iWorX® Zone Valve Dimensions: (FOR REFERENCE PURPOSES)

Valve Size	A		B		C		D		E (Sweat)		E (Threaded)		F		G		H (3-way)	
	in.	mm	in.	mm	in.	mm	in.	mm	in.	mm	in.	mm	in.	mm	in.	mm	in.	mm
1/2"	3"	76.2	2.375"	60.3	4.125"	104.7	3.06"	77.72	3.125"	79.3	4.750"	120.6	1.562"	39.7	2.312"	58.7	5.06"	128.5
3/4"	3"	76.2	2.375"	60.3	4.125"	104.7	3.12"	79.25	3.125"	79.3	3.312"	84.1	1.562"	39.7	2.312"	58.7	5.37"	136.4
1"	3"	76.2	2.375"	60.3	4.125"	104.7	3.12"	79.25	3.875"	98.4	3.875"	98.4	1.875"	47.6	2.312"	58.7	5.50"	139.7

NPT Models	2-Way	Sweat Models
X050T2	1/2" 2-way	X050C2
X075T2	3/4" 2 way	X075C2
X100T2	1" 2-way	X100C2

Consult factory for additional model numbers.



NPT Models	3-Way	Sweat Models
X050T3	1/2" 3-way	X050C3
X075T3	3/4" 3-way	X075C3
X100T3	1" 3-way	X100C3

Taco Electronic Solutions, Inc., 1160 Cranston Street, Cranston, RI 02920 / (401) 942-8000 / Fax (401) 942-2360  
 Taco (Canada) Ltd., 8450 Lawson Road, Unit #3, Milton, Ontario L9T 0J8 / (905) 564-9422 / Fax (905) 564-9436

[www.taco-hvac.com](http://www.taco-hvac.com)