

SMS-1 Snowmelt Sensor and SMH-1 Sensor Housing

SUPERSEDES: New

EFFECTIVE: February 21, 2013

Plant ID: 001-4168

SMS-1 Snowmelt Sensor

The iWorx® SMS-1 snowmelt sensor is a pavement-mounted deicing sensor for snow and ice melting applications, to be used in combination with an iWorx® SMZ snowmelt controller or ZXU mixing controller. The SMS-1 sensor signals for snow and ice melting at pavement temperatures below 38 °F (3.3 °C) while moisture in any form (snow, sleet, water, or ice) is present. The SMS-1 comes with 60' of attached wire and is powered by a 24 VAC supply. The SMS-1 requires an SMH-1 housing for proper installation.

Features

- Four-wire connection with built-in 60' cable
- Rugged metal construction
- Built in 1-hour hold on timer
- Includes mounting hardware and duct sealant

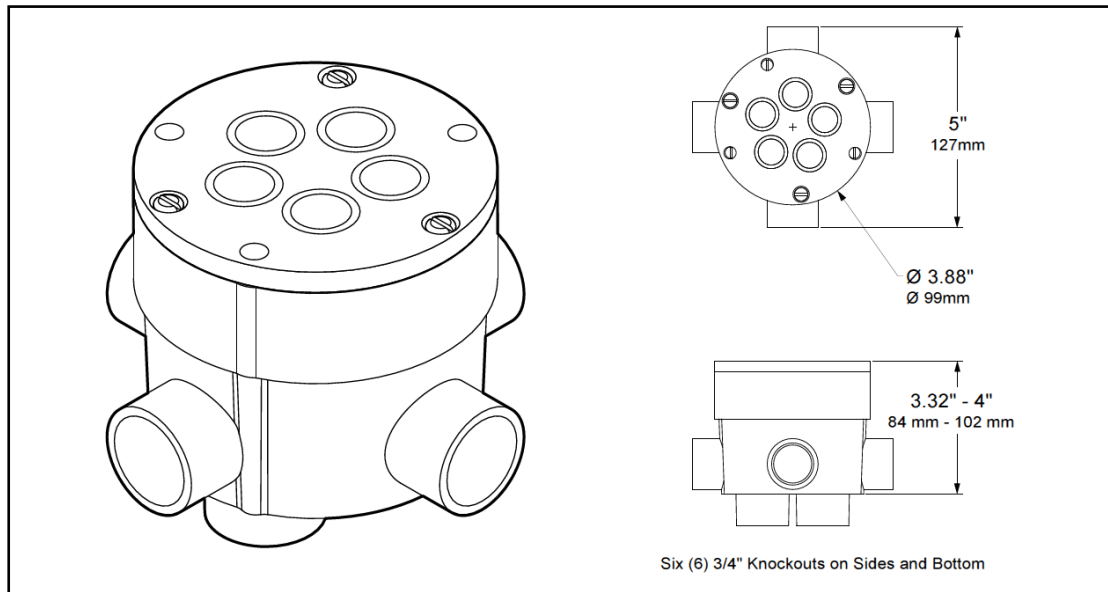
SMH-1 Sensor Housing

The iWorx® SMH-1 sensor housing is designed to be used with the SMS-1 snowmelt sensor. The SMH-1 features adjustment screws for sensor leveling and six conduit knockouts for a variety of mounting options.

Features

- Plastic construction
- Six ¾" conduit knockouts
- Includes plastic cover for use during slab/pavement installation

Figure 1: SMS-1 / SMH-1 Assembly



Specifications

Sensor

Snowmelt Sensor (SMS-1)

- Type: Self-heating temperature and moisture sensor
- Activation temperature: 38 °F (3.3 °C)
- Diameter: 3.88" (99 m)
- Wiring: 18 ga, 4 wire, 60' length
- NEC Class 2

Sensor Housing (SMH-1)

- 5" diameter x 4" height (not including conduit connections)
- Six (6) 3/4" knockouts on sides and bottom

Weight

- Sensor Weight: 3.5 pounds (1.6 kilograms)
- Sensor Ship Weight: 4.0 pounds (1.8 kilograms)
- Housing Weight: 0.75 pounds (0.34 kilograms)
- Housing Ship Weight: 1.25 pounds (0.57 kilograms)

CONTROLS MADE EASY®

Taco Electronic Solutions, Inc., 1160 Cranston Street, Cranston, RI 02920
Telephone: (401) 942-8000 FAX: (401) 942-2360.

Taco (Canada), Ltd., 8450 Lawson Road, Unit #3, Milton, Ontario L9T 0J8.
Telephone: 905/564-9422. FAX: 905/564-9436.

Taco Electronic Solutions, Inc. is a subsidiary of Taco, Inc.
Visit our web site at: <http://www.taco-hvac.com>