



ASM2 Auxiliary Sensor Module *Self-Contained Interoperable Controller Model UCP-1*

SUPERSEDES: September 23, 2010

EFFECTIVE: November 12, 2010

Table of Contents

ASM2	3	Wiring Information	8
Overview	3	Connecting Input Devices	8
Features	3	Other Connections	9
Purpose of This Guide	3	Specifications	9
Representations and Warranties	3	Electrical	9
Applicable Documentation	4	Mechanical	10
Typical Use	4	Application Overview	11
Installation Guide	5	Sequence of Operation	12
Precautions	5	Outdoor Air Temperature	12
General	5	Outdoor Air Humidity	12
Static Electricity	5	Supply Water Temperature	12
Location	5	Indoor Humidity	12
FCC Compliance	5	Energy Consumption Monitoring	12
Before Installing	5	Unit Enable	12
About this Document	5	Automatic Configuration	13
Inspecting the Equipment	6	Controller Identification	14
What is Not Included with this Equipment	6	Inputs	14
Equipment Location	6	Configuration	14
Selecting a Power Source	6	Troubleshooting	14
Installation	6	Diagnostic LEDs	14
Mounting the Device	6	Troubleshooting Tips	15
Routing Cabling to the Device	7		
Grounding the Device	8		

THIS PAGE LEFT BLANK INTENTIONALLY

ASM2

The ASM is a stand-alone microprocessor based controller for monitoring auxiliary sensors. The application would include unitary heating, ventilating, and air conditioning (HVAC) equipment.

Overview

Analog inputs are provided for outdoor air temperature, outdoor air humidity, indoor air humidity, and supply water temperature. A “unit enable” digital input is also provided for confirmation to water dependant systems. For energy monitoring, digital inputs for meter pulses and end-of-interval signals are also provided.

The controller is based on the LONWORKS® networking technology. The controller can be networked to a higher-level control system for monitoring and control applications.

Features

- Outside air temperature measurement
- Outside air humidity measurement
- Supply water temperature measurement
- Indoor humidity measurement
- Energy meter digital input for pulse counting
- Energy monitoring “end of period” digital input
- Network outputs to LCI for load shedding functions
- Current energy measurement
- Current daily energy consumption measurement
- Log of daily energy consumption (previous 30 days)
- Log of interval energy usage (previous 96 intervals)
- “Unit Enable” digital input
- LONWORKS interface to building automation systems.
- Automatic configuration with the LCI

PURPOSE OF THIS GUIDE

The *Application Guide* provides application information for the ASM Controller.

The reader should understand basic HVAC concepts, intelligent environmental control automation, and basic LONWORKS networking and communications. This Application Manual is written for:

- Users who engineer control logic
- Users who set up hardware configuration
- Users who change hardware or control logic
- Technicians and field engineers

REPRESENTATIONS AND WARRANTIES

This Document is subject to change from time to time at the sole discretion of Taco Electronic Solutions, Inc. All updates to the Document are available at www.taco-hvac.com. When installing this product, it is the reader’s responsibility to ensure that the latest version of the Document is being used.

The iWorX® ASM shall only be used for the applications identified in the product specifications and for no other purposes. For example, the iWorX® ASM is not intended for use to support fire suppression systems, life support systems, critical care applications, commercial aviation, nuclear facilities or any other applications where product failure could lead to injury to person, loss of life, or catastrophic property damage and should not be used for such purposes.

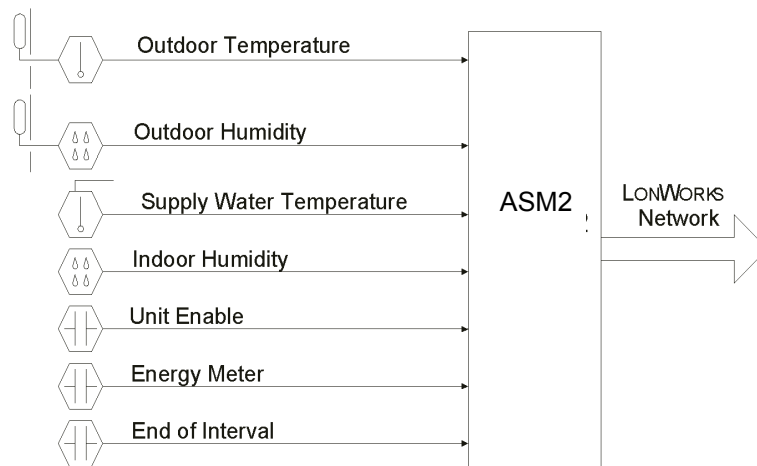
Taco Electronic Solutions, Inc. will not be responsible for any product or part not installed or operated in conformity with the Document and instructions or which has been subject to accident, disaster, neglect, misuse, misapplication, inadequate operating environment, repair, attempted repair, modification or alteration, or other abuse. For further information, please refer to the last page of this Document for the company’s Limited Warranty Statement, which is also issued with the product or available at www.taco-hvac.com.

APPLICABLE DOCUMENTATION

See the table below for additional documentation that may be applicable to this controller.

Description	Audience	Purpose
<i>iWorX® LCI2 Application Guide</i> , Document No. 505-002	<ul style="list-style-type: none"> – Application Engineers – Installers – Service Personnel – Start-up Technicians – End user 	Provides instructions for setting up and using the iWorX® Local Control Interface.
http://iWorxWizard.taco-hvac.com	<ul style="list-style-type: none"> – Application Engineers – Wholesalers – Contractors 	An on-line configuration and submittal package generator based on user input. Automatically generates bill of materials, sequence of operations, flow diagrams, wiring diagrams, points and specifications.
Additional Documentation	<i>LonWorks FTT-10A Free Topology Transceiver User’s Guide</i> , published by Echelon Corporation. It provides specifications and user instructions for the FTT-10A Free Topology Transceiver. See also: www.echelon.com/support/documentation/manuals/transceivers .	

Typical Use



INSTALLATION GUIDE

Precautions

General



This symbol is intended to alert the user to the presence of important installation and maintenance (servicing) instructions in the literature accompanying the equipment.



WARNING: Electrical shock hazard. Disconnect **ALL** power sources when installing or servicing this equipment to prevent electrical shock or equipment damage.

Make all wiring connections in accordance with these instructions and in accordance with pertinent national and local electrical codes. Use only copper conductors.

Static Electricity

Static charges produce voltages that can damage this equipment. Follow these static electricity precautions when handling this equipment.

- Work in a static free area.
- Touch a known, securely grounded object to discharge any charge you may have accumulated.
- Use a wrist strap when handling printed circuit boards. The strap must be secured to earth ground.

Location

Avoid locations where corrosive fumes, excessive moisture, vibration or explosive vapors are present.

Avoid electrical noise interference. Do not install near large contactors, electrical machinery, or welding equipment.

This equipment is suitable for indoor or outdoor use. Preferably, or as required by National Electrical Code, the unit is intended to be installed within an electrical control enclosure. Operate where ambient temperatures do not exceed 140 °F (60 °C) or fall below 32 °F (0 °C) and relative humidity does not exceed 90%, non-condensing.

FCC Compliance

This equipment has been tested and found to comply with the limits for a Class A digital device, pursuant to Part 15 of the FCC rules. These limits are designed to provide reasonable protection against harmful interference. This equipment can radiate radio frequency energy and, if not installed and used in accordance with the instructions, may cause harmful interference to radio communications. However, there is no guarantee that interference will not occur in a particular installation. If this equipment does cause harmful interference to radio or television reception, which can be determined by turning the equipment off and on, the user is encouraged to try to correct the interference by one or more of the following measures:

- Reorient or relocate the receiving antenna.
- Increase the separation between the equipment and the receiver.
- Connect the equipment to a power source different from that to which the receiver is connected.
- Consult the equipment supplier or an experienced radio/TV technician for help.

You are cautioned that any changes or modifications to this equipment not expressly approved in these instructions could void your authority to operate this equipment in the United States.

BEFORE INSTALLING

About this Document

The instructions in this document are for the ASM2 module, which provides global sensor inputs to other iWorX controllers.

Inspecting the Equipment

Inspect the shipping carton for damage. If damaged, notify the carrier immediately. Inspect the equipment for damage. Return damaged equipment to the supplier.

What is Not Included with this Equipment

- A power source for the equipment electronics and peripheral devices.
- Tools necessary to install, troubleshoot and service the equipment.
- The screws or DIN rail needed to mount the device.
- Peripheral devices, such as sensors, actuators, etc.
- Cabling, cabling raceway, and fittings necessary to connect this equipment to the power source, FTT-10A network and peripheral devices.

Equipment Location



Abide by all warnings regarding equipment location provided earlier in this document.

Optimally, the equipment should be installed within a secure enclosure.

If the equipment is to be installed outdoors, it must be contained within a protective enclosure. The enclosure must maintain internal temperature and humidity within the ranges specified for this equipment.

The equipment must be installed within 500 feet of all input peripherals (smoke detectors, sensors, etc.) that will be connected to the equipment.

Selecting a Power Source

This equipment requires a UL recognized Class 2 external power source (not supplied) to operate. The controller power input requires a voltage of 24 Volts AC.

To calculate power source current requirements, add the power consumption of all peripheral devices to that of the controller.

The controller and triac output loads can use the same power source. If both are using the same power source, the loads must have EMF protection. This protection can be integral to the load, or installed in the 24 VAC wiring across the load's coil.

To provide necessary RFI and transient protection, the controller's ground (GND) pin (T40) must be connected to earth ground or the earth ground of the packaged unit's enclosure ground. Failure to properly ground the controller may cause it to exceed FCC limits. Excessive noise could also produce inaccurate sensor data. The power source must be capable of operating with this connection to ground.

INSTALLATION

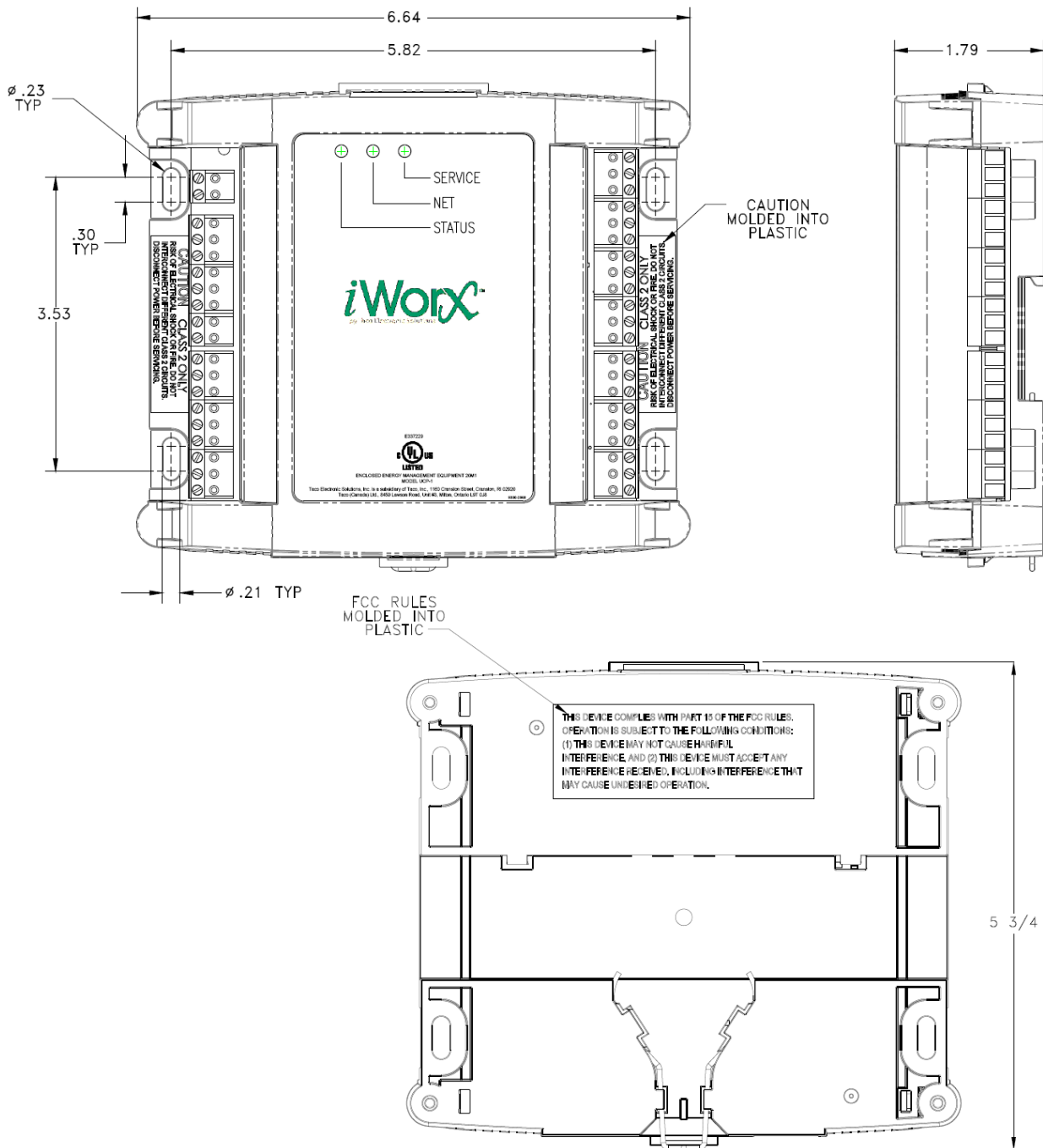


Warning: Electrical shock hazard. To prevent electrical shock or equipment damage, disconnect **ALL** power sources to controllers before installing or servicing this equipment or modifying any wiring.

Mounting the Device

1. Select a mounting location. Enclosure mounting is recommended.
2. Hold the controller on the panel you wish to mount it on. With a marker or pencil mark the mounting locations on the panel.
3. Using a small drill bit pre-drill the mounting holes.
4. Using two #6 pan head screws, mount the controller to the panel.
5. Wire the controller (See Routing Cabling to the Device).

Figure 1: Mounting Dimensions



Routing Cabling to the Device



Cabling used to connect the power source and cabling used to connect the FTT-10A network must remain separated within the control enclosure and wiring conduit.

Grounding the Device



The ground terminal (T40) must be securely connected to earth ground. Failure to properly ground this equipment will result in improper operation. Improper grounding may also increase the risk of electrical shock and may increase the possibility of interference with radio/TV reception.



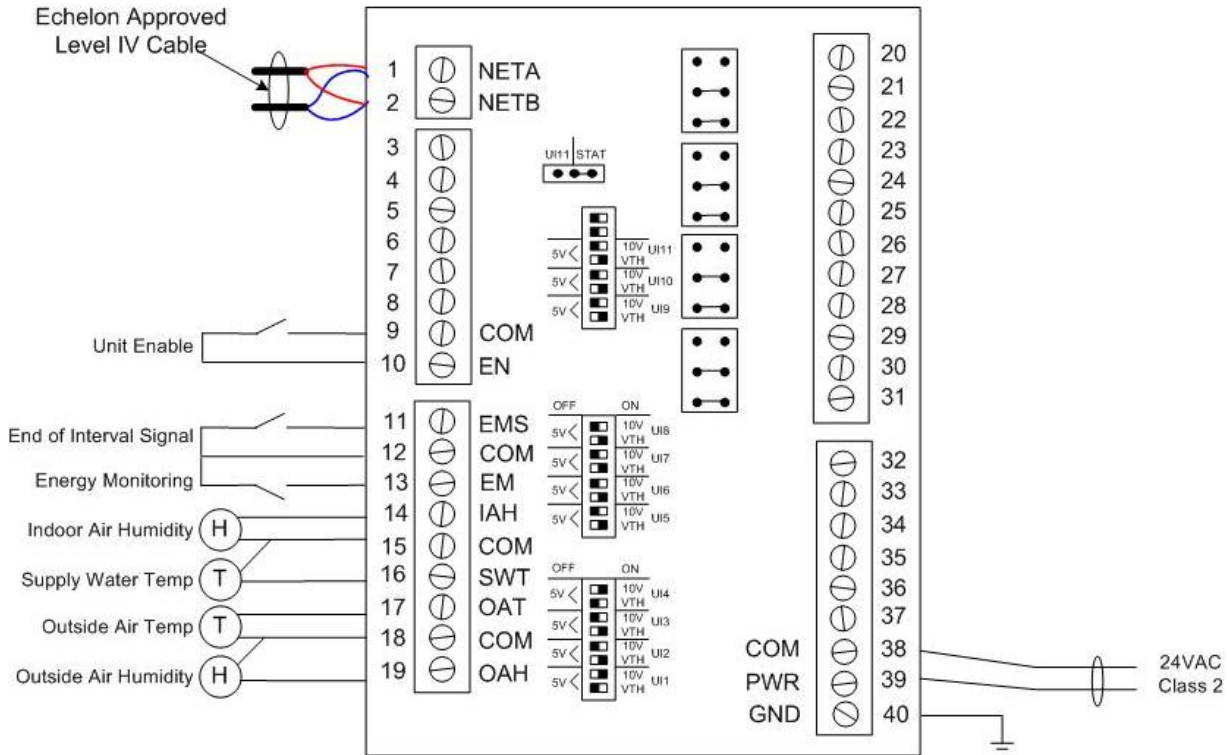
For best performance, connect the power supply common terminal (T38) to the same external point as the ground terminal (T40).

WIRING INFORMATION



WARNING: Terminals 4,6,9,12,15,18 and 38 are connected internally on all ASM2 controllers. Disconnect **ALL** power sources when installing or servicing this equipment to prevent electrical shock or equipment damage.

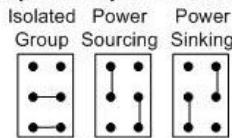
Figure 2: ASM2 Terminal Connections



Symbols

- 10 K ohm Precon Type III thermistor
- 24VAC pilot relay or contactor coil
- 0-10 VDC signal
- 0-10VDC Humidity Sensor

Output Jumper Positions



Connecting Input Devices

Outdoor Humidity (OAH)

The sensor must be 0-10 VDC, linear. To connect the Outdoor Humidity sensor to the unit, connect the positive wire from the sensor to OAH (T19) and the other wire to the adjacent common (T18).

Outdoor Air (OAT)

To connect the Outdoor Air thermistor to the unit, attach one wire from the thermistor to OAT (T17) and the other wire to the adjacent common (T18). The thermistor used must be 10K Precon Type III.

Supply Water Temperature (SWT)

To connect the Supply Water Temperature thermistor to the unit, attach one wire from the thermistor to SWT (T16) and the other wire to the adjacent common (T15). The thermistor used must be 10K Precon Type III.

Indoor Humidity (IAH)

The sensor must be 0-10 VDC, linear. To connect the Indoor Humidity sensor to the unit, connect the positive wire from the sensor to IAH (T14) and the other wire to the adjacent common (T15).

Energy Monitor (EM)

The Energy Monitor contact must be a normally open digital switch. To connect the Energy Monitor contact to the unit, connect one wire from the contact to EM (T13) and the other wire to the adjacent common (T12).

End of Interval (EMS)

The End of Interval contact for energy monitor sync must be a normally open digital switch. To connect the End of Interval contact to the unit, connect one wire from the contact to EMS (T11) and the other wire to the adjacent common (T12).

Unit Enable (EN)

The Unit Enable contact must be a normally open (closed only when enabled) digital switch. To connect the Unit Enable contact to the unit, connect one wire from the contact to EN (T10) and the other wire to the adjacent common (T9).

Other Connections

Network (LON)

Network wiring must be twisted pair. One network wire must be connected to terminal NETA (T1) and the other network wire must be connected to terminal NETB (T2). Polarity is not an issue since an FTT-10A network is used for communications.

Power (PWR)

Connect one output wire from a 24 VAC power supply to PWR (T39) and the other output wire from the power supply to the adjacent common terminal (T38).

Ground (GND)



Terminal GND (T40) must be connected to earth ground. Failure to properly ground this equipment will result in improper operation. Improper grounding may also increase the risk of electrical shock, and may increase the possibility of interference with radio and TV reception.

SPECIFICATIONS

Electrical

Inputs

- Cabling: twisted shielded pair, 18 AWG recommended—500 feet max. (152 meters)
- Resolution: 10 bit

Outdoor Humidity

- 0-10 Volts DC

Outdoor Air, Supply Water Temperature

- Precon Type III 10K thermistor

Indoor Humidity

- 0-10 Volts DC

Energy Monitor, End of Interval

- Normally open
- Dry contact
- 5 Volts DC Max

Unit Enable

- Normally open (closed when active)
- Dry contact
- 5 Volts DC Max

Recommended Sensor Wire

Cable Type	Pairs	Details	Taco Catalog No.
18AWG	1	Stranded Twisted Shielded Pair, Plenum	WIR-018

FTT-10A Network

- Speed: 78KBPS
- Cabling: Maximum node-to-node distance: 1312 feet (400 meters)
- Maximum total distance: 1640 feet (500 meters)

Cable Type	Pairs	Details	Taco Catalog No.
Level 4 22AWG (0.65mm)	1	Unshielded, Plenum, U.L. Type CMP	WIR-022

For detailed specifications, refer to the *FTT-10A Free-Topology Transceiver User's Guide* published by Echelon Corporation (www.echelon.com/support/documentation/manuals/transceivers).

Power**Power Requirements**

- 24VAC (20VAC to 28VAC), requires an external Class 2 supply

Power Consumption

- 7.2W with no external loads, maximum limited by the Class 2 supply rating

Mechanical**Housing**

- Dimensions: 5.55" (141mm) high, 6.54" (166 mm) wide, 1.75" deep (44 mm)
- ABS

Weight

- Controller Weight: 0.70 pounds (0.32 kilograms)
- Shipping Weight: 1.0 pounds (0.46 kilograms)

Electronics

- Processor: 3150 Neuron 10 MHz
- Flash: 48 Kilobytes
- SRAM: 8 Kilobytes
- Termination: 0.197" (5.0 mm) Pluggable Terminal Blocks, 14-22 AWG

Environmental

- Temperature: 32 °F to 140 °F (0 °C to 60 °C)
- Humidity: 0 to 90%, non-condensing

Agency Listings

- UL Listed for US and Canada, Energy Management Equipment PAZX and PAZX7.

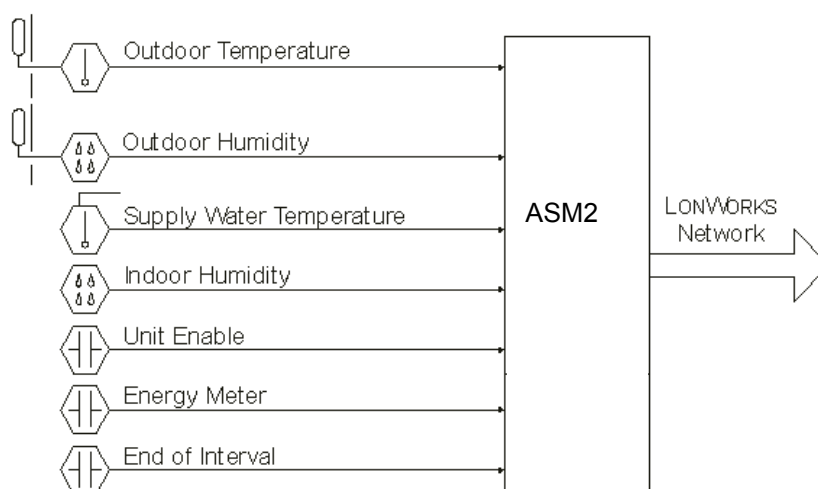
Agency Compliances

- FCC Part 15 Class A

APPLICATION OVERVIEW

The controller provides outdoor temperature, outdoor humidity, indoor humidity, supply water temperature, energy monitoring readings, and unit enable status to other devices on the network. Figure 3 illustrates a typical controller application.

Figure 3: ASM Application



An input is provided to read an outside air temperature sensor. An additional input is provided to read an outside air humidity sensor. The current values of both sensors are made available to other devices on the network. The outdoor temperature and humidity are used to calculate the outdoor enthalpy. The enthalpy is required by certain types of controllers to determine if “free cooling” is available from the economizer.

An additional input is provided to read an indoor air humidity sensor. The current value of the sensor can be used by other devices on the network as a “global” indoor humidity value, for calculating indoor enthalpy.

An input is provided to read a supply water temperature sensor. The current value of the sensor is made available to other devices on the network. The supply water temperature is required by certain types of controllers to achieve automatic summer/winter changeover.

A digital input is provided to read a contact closure for “unit enable” purposes. The ASM can make the status of that contact available to other devices on the network. Typically, “unit enable” information is utilized by heat pumps to determine when the water supply is flowing.

The ASM can also monitor energy consumption. One digital input accepts energy consumption pulses from a utility meter, another other accepts a timing pulse from the utility. This pulse indicates the end of an energy-monitoring period, and implicitly signals the beginning of a new period.

SEQUENCE OF OPERATION

This section describes the sequence of operation for the controller.

Outdoor Air Temperature

The outdoor air temperature sensor input is for a thermistor. The controller reads the sensor and converts it to a temperature once a second. The converted value is made available as a network variable output.

Outdoor Air Humidity

The outdoor air humidity sensor input is 0 to 10 volt scaled device. The controller reads the sensor and converts it to humidity once a second. The converted value is made available as a network variable output.

Supply Water Temperature

The supply water temperature sensor input is for a thermistor. The controller reads the sensor and converts it to a temperature once a second. The converted value is made available as a network variable output.

Indoor Humidity

The indoor humidity sensor input is a 0 to 10 Volt scaled device. Every second, the controller reads the sensor and converts the reading to a humidity measurement. The converted value is made available as a network variable output.

Energy Consumption Monitoring

The ASM monitors pulses from the energy meter input, stores a count of them internally, and reads that count every 30 seconds. Once read, the count is stored and used to calculate a new KWh value. The count is scaled using a value programmed at the Local Control Interface. This scaling factor tells the ASM how many pulses indicate 1 KWh of energy. The KWh value can be viewed on the LCI2 as "Current Reading". These periodic readings are accumulated until the end of an interval.

The end of the monitoring interval can be determined in two ways. The first method is to have the ASM determine the length of the interval. At power up, the ASM defaults to using its internal timer. The interval length for the internal timer can be programmed at the LCI2.

The second method is by sensing a hardwired signal from the energy meter. The meter momentarily closes this input to indicate the end of an interval. If the ASM receives a synchronization pulse on its "end of interval" input, it automatically switches over to using the external signal instead of the internal timer. If no external signal is received for more than two hours, the ASM reverts to using its internal timer.

Once the end of the interval is determined, a new interval reading is then calculated using enough of the 30-second readings to form the interval. The calculation is performed on a sliding window of data, with the newest data replacing the oldest. The daily total is then updated by adding the interval value, and load shedding is calculated.

The ASM provides a method for detecting if energy consumption is above a preset level. This enables the system to perform load-shedding functions. Two alarm levels are available. If energy consumption for an interval exceeds the first setting, the energy consumption alarm will be set to level one. If the alarm is at level one, consumption will be compared to the second setting. If consumption exceeds the second setting, the alarm will be set to level two. If consumption drops below the second setting, the alarm level will be dropped to one, and if it drops below the first setting the alarm level will be cleared to zero.

Unit Enable

The unit enable input is a contact input that is closed while the unit is enabled. The controller reads the input once a second. The current value is made available as a network variable output.

Automatic Configuration

The ASM2 and iWorX® Local Control Interface (LCI) use a self-configuring network management scheme requiring no external tools, binding, or LONWORKS knowledge. The LCI recognizes and configures the ASM2 when the controller's service pin is pressed. The controller's status light flashes green until the controller is configured, and will be solid green after the controller is configured. Once the service pin has been pressed, no further action is required by the user; the controller is fully accessible to the LCI. Users may bind to SNVTs on the ASM2 with LNS or other LONWORKS tools if they wish.

The LCI also provides network supervision of the ASM2. The LCI periodically sends a "ping" message to the ASM2, which elicits a response. If the response fails, an alarm is displayed on the LCI. The LCI also uses the "ping" message to refresh the occupancy mode and other system wide data.

CONTROLLER IDENTIFICATION

Once the ASM is properly installed and recognized by the Local Control Interface (LCI2), the LCI2 can be used to configure the settings of the controller. This section describes the commands available on the LCI2 for configuration of the ASM, and the meanings and default values for controller parameters. For more information on using the LCI2, see the *LCI2 Application Guide*.

Inputs

The Inputs screen displays the current values of the ASM2's inputs. These values cannot be changed.

Input	Range	Description
Outside Temp	-30 to 230 °F (-34 to 110 °C)	Temperature reported by the OAT sensor.
Outside Humidity	0.00 to 100.00%	Humidity reported by the OAH sensor.
Water Temp	-30 to 230 °F (-34 to 110 °C)	Temperature reported by the SWT sensor.
Inside Humidity	0.00 to 100.00%	Humidity reported by the IAH sensor.
Unit Enable	Off, On	Status of the EN switch.
Current Reading	0 to 65535 KWh	Energy consumption during the last interval.
Daily Reading	0 to 65535 KWh	Running total of energy consumed today. Resets at midnight.

Configuration

The Setup screen gives you access to controller settings.

All Settings

Setting	Range	Default	Description
Scaling Factor	0 to 65535 pulses/KWh	12 pulses/KWh	Number of pulses per KWh of energy consumed.
Load Level 1	0 to 65535 KWh	65535 KWH	Consumption per interval that will trigger a level one alarm. ¹
Load Level 2	0 to 65535 KWh	65535 KWH	Consumption per interval that will raise a level one alarm to level two. ¹
Reading Interval	1 to 30 minutes	15 minutes	Length of the energy consumption monitoring interval when using the internal timer.

1. Set both levels to 65535 to disable this feature.

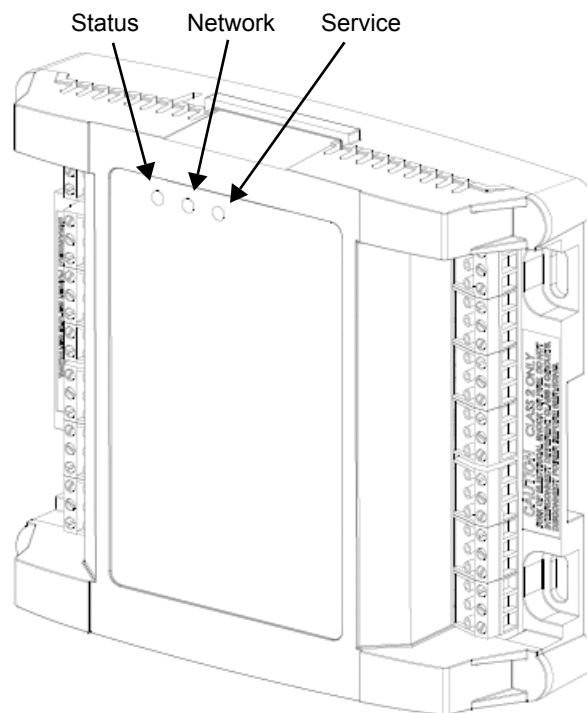
TROUBLESHOOTING

Diagnostic LEDs

The controller has 3 LED indicators. These indicators can aid in troubleshooting equipment operation problems. The following table lists the functions of the controller's LEDs in the order they appear from left to right on the unit.

LED	Indication
Status	<ul style="list-style-type: none"> - Solid green when running and configured by an LCI (networking) - Flashing green when running and NOT configured by an LCI (stand-alone) - Solid red when a fault condition exists (control shut down) - Blinking Red - the controller has a device failure - Solid Amber - The controller has not received a LCI ping message in over 10 minutes and is part of a network.
Network	<ul style="list-style-type: none"> - Yellow while the controller is transmitting data onto the FTT-10A network - Green when there is network activity - Off when there is no network activity
Service	<ul style="list-style-type: none"> - Illuminated when the service pin is depressed or when a controller gets configured by the LCI.

Figure 4: ASM2 Controller LEDs



Troubleshooting Tips

This section provides remedies for common problems.

Problem	Solution
Controller is not running and Status LED is not illuminated.	No power to controller. Verify the voltage on the controller's power connector (24 VAC).

Problem	Solution
How do I reset the controller?	The controller can be reset by the LCI, or you can cycle power to the controller. Refer to the LCI documentation for more information on resetting the controller using the LCI.
The 10K thermistor reading is at its maximum or minimum.	The input is either shorted or open.
Thermistor readings fluctuate rapidly, sometimes by several degrees.	The controller may not be properly grounded. The controller's ground (GND) pin (T40) must be connected to earth ground. Also ensure that the controller's digital inputs are dry contacts and that no voltage is being applied or switched to the inputs.

Getting Help

Components within an iWorX® controller, sensor, or power supply cannot be field repaired. If there is a problem with a unit, follow the steps below before contacting your local TES representative or TES technical service.

1. Make sure controllers, sensors, and power supplies are connected and communicating to desired devices.
2. Record precise hardware setup indicating the following:
 - Version numbers of applications software.
 - Controller firmware version number.
 - A complete description of difficulties encountered.

Notes:

LIMITED WARRANTY STATEMENT

Taco Electronic Solutions, Inc. (TES) will repair or replace without charge (at the company's option) any product or part which is proven defective under normal use within one (1) year from the date of start-up or one (1) year and six (6) months from date of shipment (whichever occurs first).

In order to obtain service under this warranty, it is the responsibility of the purchaser to promptly notify the local TES stocking distributor or TES in writing and promptly deliver the subject product or part, delivery prepaid, to the stocking distributor. For assistance on warranty returns, the purchaser may either contact the local TES stocking distributor or TES. If the subject product or part contains no defect as covered in this warranty, the purchaser will be billed for parts and labor charges in effect at time of factory examination and repair.

Any TES product or part not installed or operated in conformity with TES instructions or which has been subject to accident, disaster, neglect, misuse, misapplication, inadequate operating environment, repair, attempted repair, modification or alteration, or other abuse, will not be covered by this warranty.

TES products are not intended for use to support fire suppression systems, life support systems, critical care applications, commercial aviation, nuclear facilities or any other applications where product failure could lead to injury to person, loss of life, or catastrophic property damage and should not be sold for such purposes.

If in doubt as to whether a particular product is suitable for use with a TES product or part, or for any application restrictions, consult the applicable TES instruction sheets or in the U.S. contact TES at 401-942-8000 and in Canada contact Taco (Canada) Limited at 905-564-9422.

TES reserves the right to provide replacement products and parts which are substantially similar in design and functionally equivalent to the defective product or part. TES reserves the right to make changes in details of design, construction, or arrangement of materials of its products without notification.

TES OFFERS THIS WARRANTY IN LIEU OF ALL OTHER EXPRESS WARRANTIES. ANY WARRANTY IMPLIED BY LAW INCLUDING

WARRANTIES OF MERCHANTABILITY OR FITNESS IS IN EFFECT ONLY FOR THE DURATION OF THE EXPRESS WARRANTY SET FORTH IN THE FIRST PARAGRAPH ABOVE.

THE ABOVE WARRANTIES ARE IN LIEU OF ALL OTHER WARRANTIES, EXPRESS OR STATUTORY, OR ANY OTHER WARRANTY OBLIGATION ON THE PART OF TES.

TES WILL NOT BE LIABLE FOR ANY SPECIAL, INCIDENTAL, INDIRECT OR CONSEQUENTIAL DAMAGES RESULTING FROM THE USE OF ITS PRODUCTS OR ANY INCIDENTAL COSTS OF REMOVING OR REPLACING DEFECTIVE PRODUCTS.

This warranty gives the purchaser specific rights, and the purchaser may have other rights which vary from state to state. Some states do not allow limitations on how long an implied warranty lasts or on the exclusion of incidental or consequential damages, so these limitations or exclusions may not apply to you.

CONTROLS MADE EASY®

Taco Electronic Solutions, Inc., 1160 Cranston Street, Cranston, RI 02920
Telephone: (401) 942-8000 FAX: (401) 942-2360.

Taco (Canada), Ltd., 8450 Lawson Road, Unit #3, Milton, Ontario L9T 0J8.
Telephone: 905/564-9422. FAX: 905/564-9436.

Taco Electronic Solutions, Inc. is a subsidiary of Taco, Inc.
Visit our web site at: <http://www.taco-hvac.com>