



## PHOTO SWITCHES

**EM SERIES**



### DESCRIPTION

The **EM** is a low voltage photocell used for controlling exterior lighting and signage. The photocell provides an ON signal when the ambient light level drops below a preset dark setpoint. It then provides a signal OFF as the ambient light level rises above the preset light setpoint. The photocell's relay contact red wires are connected to a panel, to a low voltage controlled loads or directly to a Building Automation System.

### FEATURES

- **On at dusk, off at dawn operation**
- **Simple installation and wiring**
- **One set of normally open, isolated relay contacts; contacts are closed when sensed light level is below dark setpoint, open when light level is above light setpoint**
- **8-second time delay and built-in setpoint deadband prevent cycling**
- **1/2" threaded male conduit base for easy mounting on conduit fittings or junction boxes.**
- **Weatherproof enclosure**
- **Economical input to BAS or lighting control systems**
- **Ideal for outdoor lighting, billboard lighting, security lighting**

**WattStopper** | **legrand**

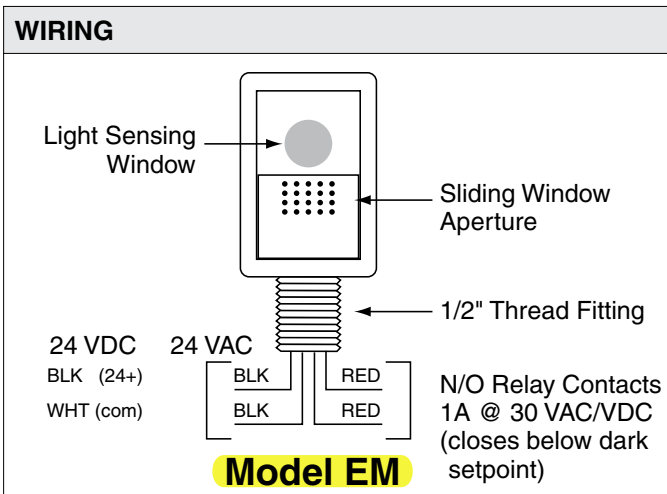


EM Series

### INSTALLATION/ MOUNTING

Mount on exterior or roof of building. Point light sensing window North. The photocell provides an ON signal when the ambient light level drops below a preset dark setpoint. It then provides a signal OFF as the ambient light level rises above the preset light setpoint. The setpoint can be changed for specific applications by opening and closing the photocell's aperture window.

SPECIFICATIONS	
Supply Voltage	24 VAC/VDC, 1 VA
Relay Type	N.O. SPST
Relay Output	1 A at 30 VAC/VDC
Lead Length	8" (20.32 cm)
Lead Wire Type	Pigtail leads, 20 AWG
Accuracy	±10% FC
Foot Candles	On 1.0 Off 15.0
Operating Temperature	-25° to 125°F (-31.7° to 51.7°C)
Mounting	Stem with 1/2" thread fitting
Dimensions	2.64"x 1.57"x 1.89" (67.1mm x 39.9mm x 48.0mm)
Enclosure Rating	NEMA 3R weatherproof
Weight	0.4 lbs (0.18 kg)
Warranty	1 year



### ORDERING INFORMATION

MODEL	DESCRIPTION
<b>EM-24A2</b>	24 VAC Exterior photocell with relay contact
<b>EM-24D2</b>	24 VDC Exterior photocell with relay contact