



Product Data

A/FS Series Freeze Stats

Product Description

The A/FS Series controllers are Low Limit controllers also known as "Freeze Stats". These devices were designed for use on HVAC equipment requiring low-temperature cutout protection and in all ducts to prevent the cooling coils from freezing. The Freeze Stats should be mounted between the heating and cooling coils on the supply side of the fan unit.

The A/FS-1, A/FS-3 and A/FS-5 are available in both manual and automatic reset versions. These units are responsive to the lowest temperature sensed along any 1 foot section of the sensing element. They also have (one) set of SPDT contacts with an adjustable setpoint range of 14 to 54°F. The sensing element is made up of a vapor-filled, copper capillary tube measuring 5/64 inches in diameter (2mm) with an overall length of 6, 10, and 20 feet depending on the model number being ordered.

The A/FS-2, A/FS-4, and A/FS-6 are available in both manual and automatic reset versions. These units are responsive to the lowest temperature sensed along any 1 foot section of the sensing element. The A/FS-2, A/FS-4, and A/FS-6 model number each have (2) sets of SPDT contacts with an adjustable setpoint range of 14 to 54°F. The sensing element is made up of a vapor-filled, copper capillary tube measuring 5/64 inches (2mm) in diameter with an overall length of 6, 10, or 20 feet depending on the model number being ordered.

The A/FS Series are covered by ACI's Two (2) Year Limited Warranty, which is located in the front of ACI'S SENSORS & TRANSMITTERS CATALOG or can be found on ACI's web site, which is: www.workaci.com. Please contact ACI for more information regarding any of these products.

Product Specifications

Sensing Element	Vapor Filled, Copper Capillary Tube
Output	A/FS-1, A/FS-3, A/FS-5 one SPDT Form 1C Relay A/FS-2, A/FS-4, A/FS-6 two SPDT Form 1C Relays
Contact Rating	250 VAC, 15 (8) A
Setpoint Range	14 to 54°F (-10 to 12 °C) Field Adj.
Setpoint Differential	1.8°F (1°C), Fixed for Auto Reset
Setpoint Safety Lock	35.6°F (Factory Set), Field Adj.
Housing Rating	NEMA 1 (IP40)
Operating Temp. Range	14 to 194°F (-10 to 65 C)
Operating Humidity Range	0 to 95%, non-condensing
Agency Approvals	CE Approved
Environmental Approvals	RoH's Compliant

Wiring Diagrams available at www.workaci.com

Freeze Stats



Attributes:

- 6, 10 and 20 foot lengths
- Adjustable Setpoint
- Manual Reset Versions
- Automatic Reset Versions
- CE Approval
- RoH's Compliant

Applications:

- Low Limit temperature protection for HVAC equipment and cooling coils

TEMPERATURE

RELATIVE HUMIDITY

PRESSURE

CURRENT

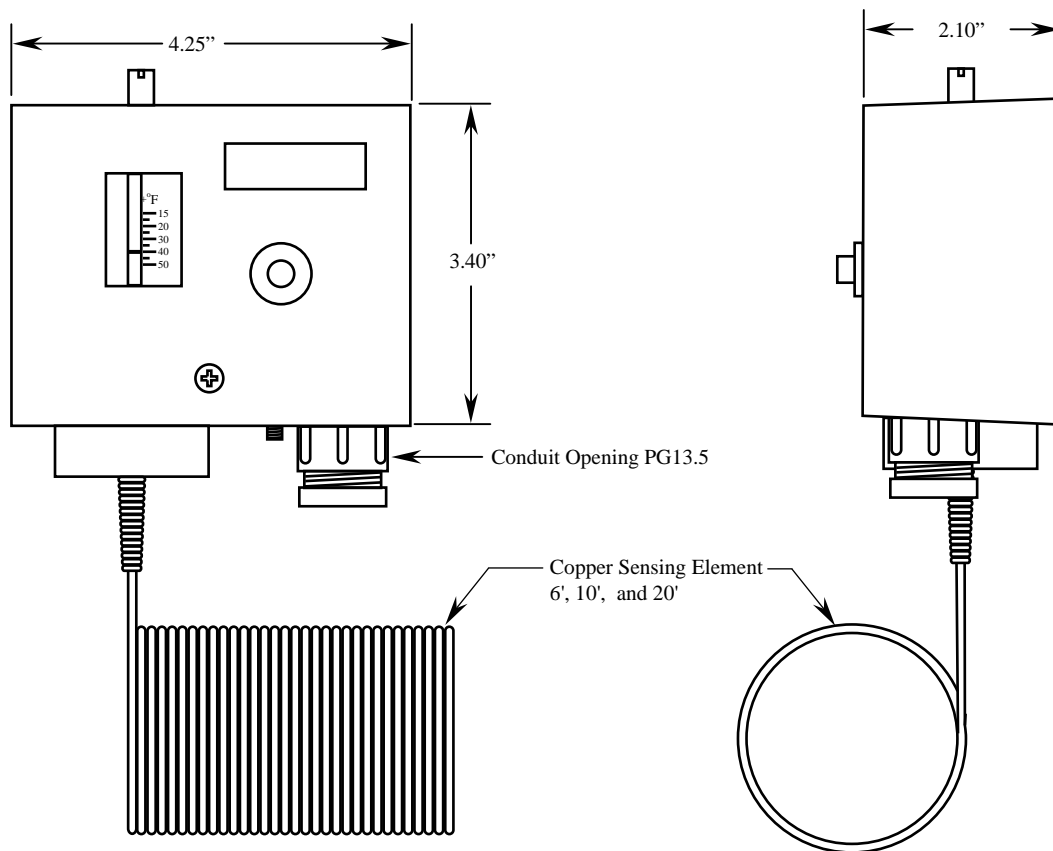
GAS SENSORS

ACCESSORIES

INTERFACE DEVICES

Automation Components, Inc.
2305 Pleasant View Rd.
Middleton, WI 53562
PH: (608) 831-2585
FAX: (608) 831-7407

Dimensions



Ordering Information

Model#
A / []

FS-1 ((1 set) SPDT Contacts, 20ft capillary, Manual reset)

FS-1A ((1 set) SPDT Contacts, 20ft capillary, Auto reset)

FS-2 ((2 sets) SPDT Contacts, 20ft capillary, Manual reset)

FS-2A ((2 sets) SPDT Contacts, 20ft capillary, Auto reset)

FS-3 ((1 set) SPDT Contacts, 10ft capillary, Manual reset)

FS-3A ((1 set) SPDT Contacts, 10ft capillary, Auto reset)

FS-4 ((2 sets) SPDT Contacts, 10ft capillary, Manual reset)

FS-4A ((2 sets) SPDT Contacts, 10ft capillary, Auto reset)

FS-5 ((1 set) SPDT Contacts, 6ft capillary, Manual reset)

FS-5A ((1 set) SPDT Contacts, 6ft capillary, Auto reset)

FS-6 ((2 sets) SPDT Contacts, 6ft capillary, Manual reset)

FS-6A ((2 sets) SPDT Contacts, 6ft capillary, Auto reset)

DBZ-05 Capillary Mounting Clips (Set of 6)

DBZ-07 Housing Mounting Bracket

Example: A/FS1 or A/FS-1A or A/FS-2 or A/FS-2A

2305 Pleasant View Road Middleton, WI 53562
PH: (888) 967-5224 www.workaci.com