



Product Data

A/AFS-222

A/AFS-262

Pressure Switches

Product Description

The A/AFS Series differential pressure switches are general purpose proving switches designed for both HVAC and Energy Management applications. These pressure switches can be used to sense positive, negative, or differential air pressures.

The A/AFS-222 has a field adjustable operating range of 0.07" to 12.0" wc. The A/AFS-222 has a field adjustable setpoint range of 0.05" +/- 0.02" to 12" wc with a field adjustable release range of 0.04" to 11.2" of w.c..

The A/AFS-262 has a field adjustable operating range of 0.07" to 2.0" wc. It also has a setpoint range of 0.05" +/- 0.02" to 2" wc with a field adjustable "release range" of 0.04" to 1.9" w.c. The sampling connections are located on each side of the diaphragm.

Both the A/AFS-222 and A/AFS-262 will accept a 0.25" O.D. rigid metallic tubing via the integral compression ferrule and nut. The enclosure cover guards against accidental contact with the live switch terminal screws and the setpoint adjusting screw. Both units also contain a 1/2" conduit knockout in the cover of the enclosure as well as a diaphragm, calibration spring, and a snap acting SPDT switch.

Product Specifications

Input Pressure Range	A/AFS-222 (0.07" to 12" w.c.) AFS-262 (0.07" to 2" w.c.)
Output	1 set SPDT Contacts
Operating Temperature Range	-40 to 180°F (-40 to 82°C)
Electrical Rating	300 VA pilot duty @ 115 to 277 VAC 15 amps non-inductive to 277 VAC, 60 HZ
Maximum Pressure	0.5 psi (0.03 Bar)
Switch Differential	increasing from 0.02" +/- 0.01" wc to Approx 0.8" wc @ Maximum setpoint.
Setpoint	+0.08" wc @ Maximum Setpoint
Measured Media	Air, or combustion by-products that will not degrade silicon
Mounting Direction	Any Vertical Plane
Agency Approval	UL, FM, CSA, CE
Shipping Weight	1.2 lbs
Environmental Compliance	RoHS Compliant

Wiring Diagrams available at www.workaci.com/instructions.htm
C0000122Rev 2.pdf

Pressure Switches



Attributes:

- Field Adjustable Setpoints
- Five Year Warranty
- RoHS compliant

Applications:

- General Purpose Proving Switch
- Monitor Flow
- Monitor Filter Blockage
- May be used to sense:
positive air pressure
negative air pressure
differential pressure



Made in the USA

Automation Components, Inc.

2305 Pleasant View Rd.
Middleton, WI 53562
PH: (608) 831-2585
FAX: (608) 831-7407

DISPLAYS

TEMPERATURE

RELATIVE HUMIDITY

PRESSURE

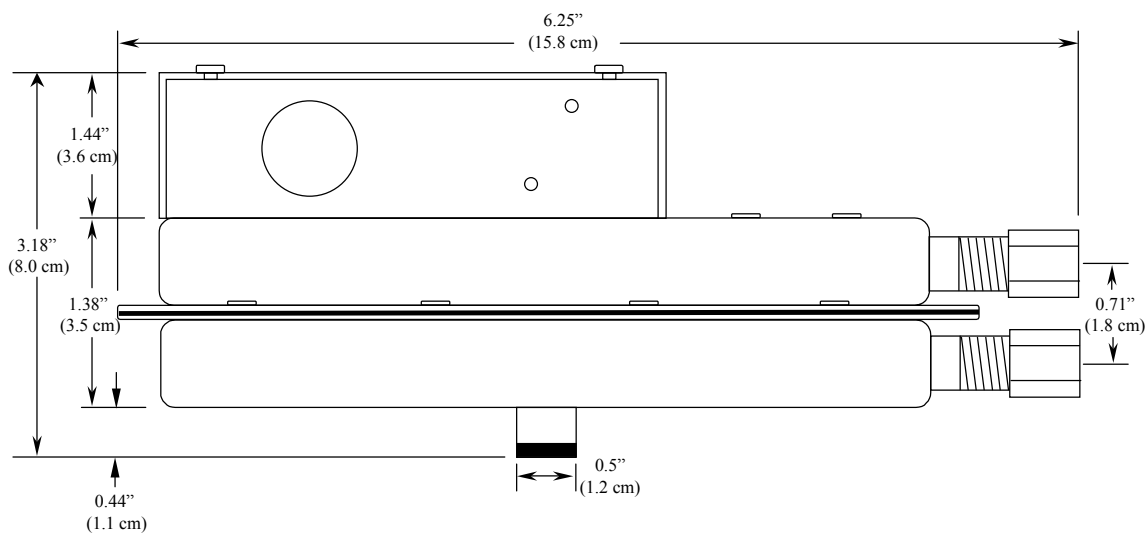
CURRENT

AIR QUALITY

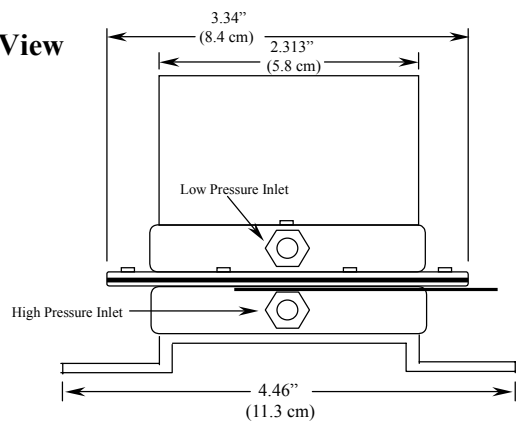
ACCESSORIES

Dimensions

Side View



End View



Ordering Information

Pressure Switch

A / AFS []

↑

222

262

Example: A / AFS-222 or A / AFS-262

2305 Pleasant View Rd. Middleton Industrial Park Middleton, WI 53562

PH: (608) 831-2585 FAX: (608) 831-7407