

Job: _____ Engineer: _____ Contractor: _____ Rep: _____

ITEM NO.	MODEL NO.	IMP. DIA.	G.P.M.	HEAD/FT.	H.P.	ELEC. CHAR.

Features:

- All-in-One Pump and Variable Speed Solar Control
- Variable Speed Benefits
 - Matches Output of Collector
 - No Short Cycling of Circulator
 - +20% Increased Performance
- Available in Several Sizes, 006, 008, 009 and 0011
 - Cast Iron and Non-Ferrous
- User Definable Line Voltage Output, Supports
 - External Heat Exchanger
 - Collector Sink / Dump
 - Storage Tank Supplement
 - Booster Pump Function
- Supports Drain Back Applications
- Freeze Protection for Open Systems
- Holiday Function, Minimizes Collector Stagnation
- Factory Installed Line Cord
- Adjustable Storage Tank Maximum Setting
- LED Status Panel
- Supports 1 or 2 Storage Tank(s)
- External Limit Input
- Exercising of Collector Circulator
- 2 Sensors Included
- Snap-in PC Board
- UL Approved



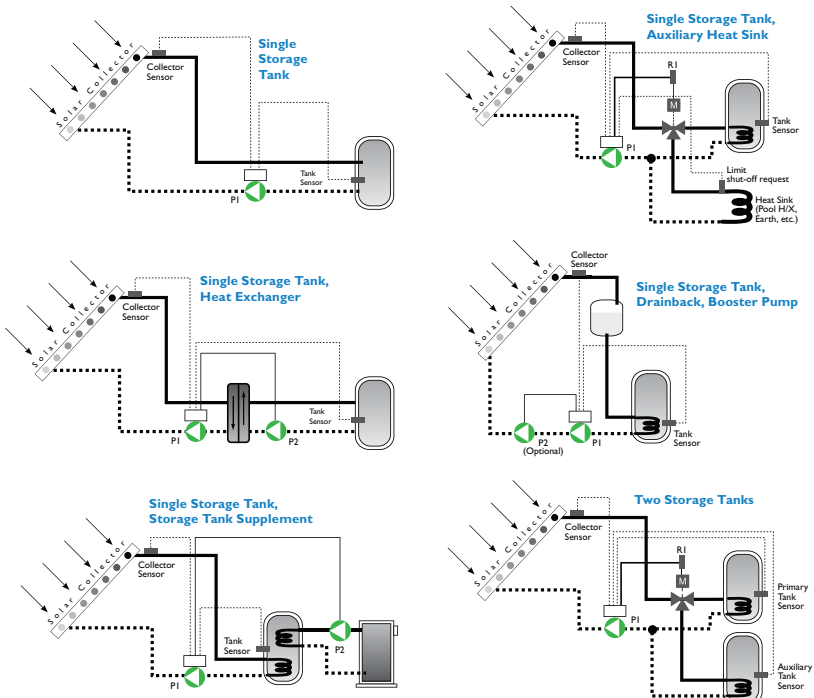
FOR INDOOR USE ONLY

Variable Speed Pays Big Performance Dividend

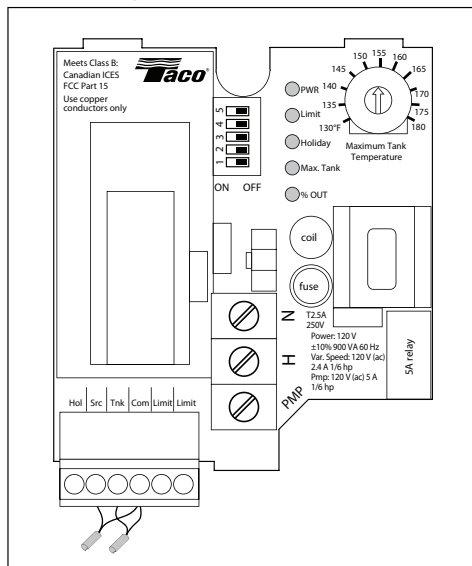
The Solar Variable Speed Circulator (00-VT) continuously optimizes the flow through the collector to achieve maximum energy gain. For example, there is no benefit of pulling 80° water out of the collector when you are trying to maintain 120° in a tank. If a proper delta T is maintained through the collector then higher source temperatures can be achieved over longer periods of time, no matter the weather conditions.

With the flip of a dip switch the Taco all-in-one Solar Circulator can be easily set-up to work in numerous solar applications, some of the most popular are detailed below.

For additional application and installation information go to www.taco-hvac.com.



PC Board Layout



Performance Curves

